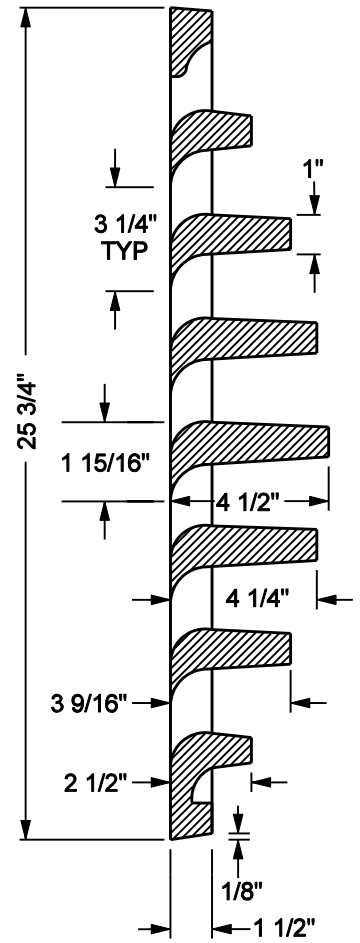
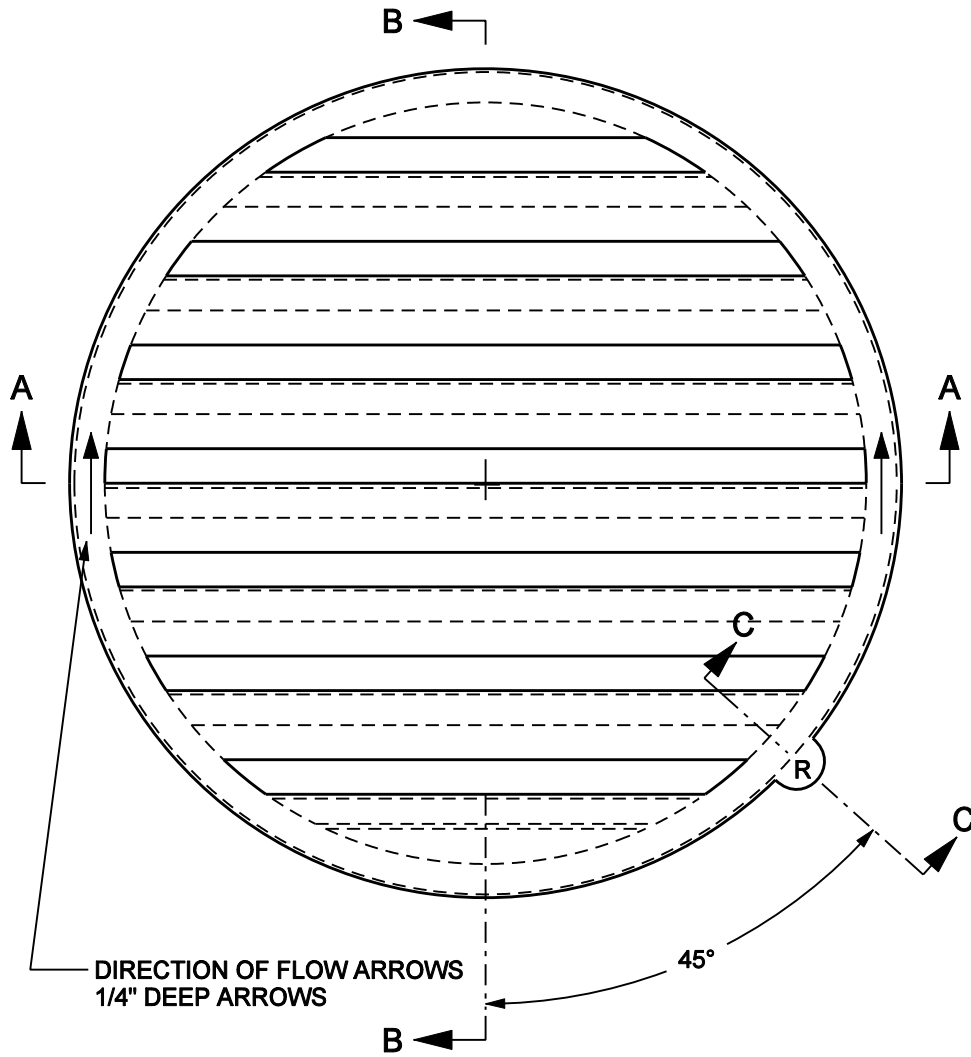
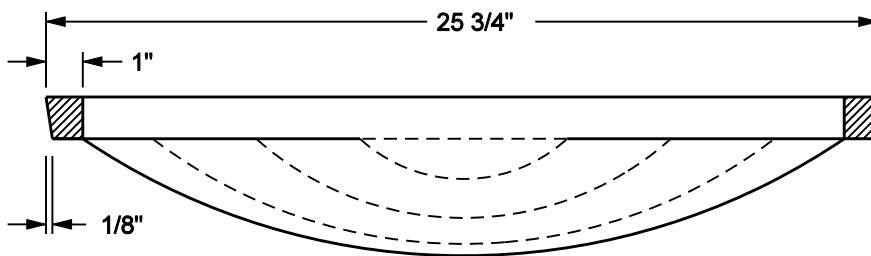


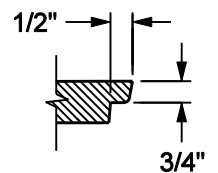
1/4" HIGH LETTER "R" INDICATOR FOR  
RIGHT HAND GRATE ALIGNMENT



**SECTION B-B**



**SECTION A-A**



**SECTION C-C**

NOTES:  
APPROXIMATE WEIGHT = 140 LBS.  
MATERIAL: GRAY IRON ASTM A-48

LIMITED USE SEE MPLS. SEWER DEPT.  
FOR USE ON MNDOT FRAME NO. 801, 4126F  
MINNEAPOLIS CUSTOM  
MNDOT SPEC. REF. 2506, 3321  
MODIFIED MNDOT 4149C  
NOT TO SCALE



**MINNEAPOLIS**  
DEPARTMENT OF PUBLIC WORKS

DRAWN: DCD

DATE: 3/03

APPROVED: HRS

DATE: 12/06

CIRCULAR VANE GRATE WITH RIGHT LUG

STANDARD  
PLATE  
NO.  
SEWR-2009