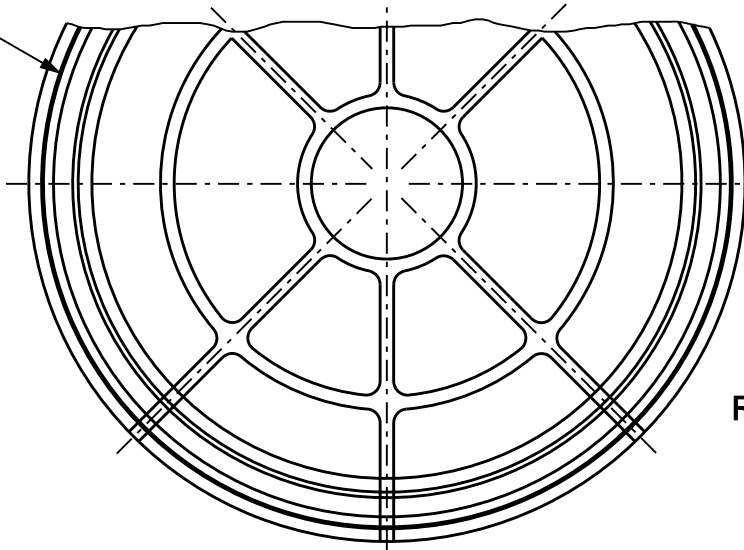


SELF-SEALING GASKET



TO BE USED AT THE DISCRETION OF THE CITY ENGINEER

REFERENCE PLATE ONLY

NOTES:
WEIGHT = 210 LBS.
MATERIAL: GRAY IRON ASTM A-48

MINNEAPOLIS CUSTOM
MNDOT SPEC. REF. 2506
NOT TO SCALE

	MINNEAPOLIS DEPARTMENT OF PUBLIC WORKS		SELF-SEALING SOLID MANHOLE COVER	STANDARD PLATE NO. SEWR-5015
	DRAWN: DCD	DATE: 4/07		
	APPROVED: HRS	DATE: 4/07		