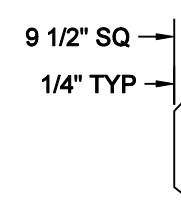
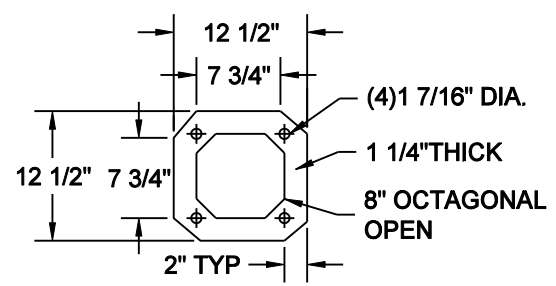


NOTES:  
 TYPE 3MS - 40A - 26MA - W/SA  
 (1)(2)(3)(4) (5) (6)

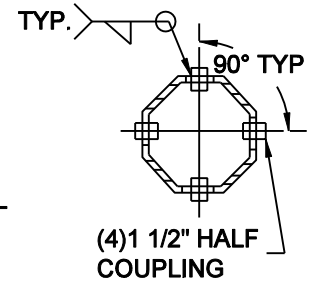
1. NUMBER INDICATES LENGTH OF LUMINAIRE ARM.
2. MS INDICATES MINNEAPOLIS STYLE.
3. NUMBER INDICATES LUMINAIRE MOUNTING HEIGHT.
4. LETTER INDICATES POLE TYPE.
5. NUMBER INDICATES SIGNAL MAST ARM LENGTH.
6. INDICATES REQUIREMENT FOR SIGNARM.
- ⑦ LUMINAIRE AS SPECIFIED.



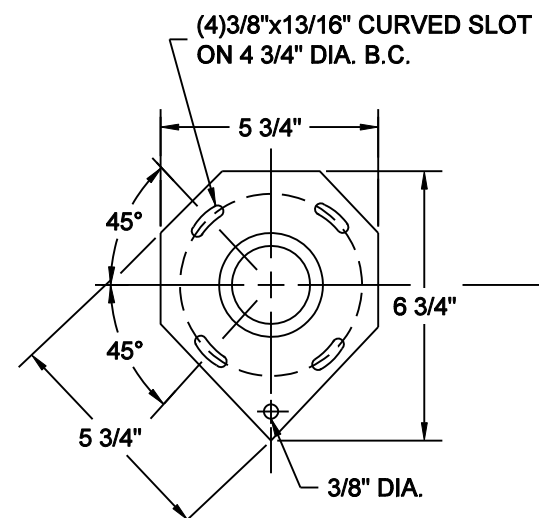
VIEW A-A



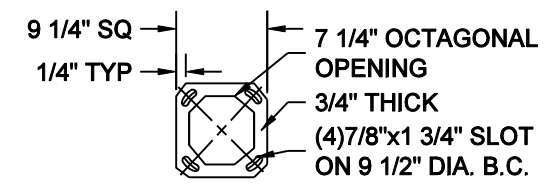
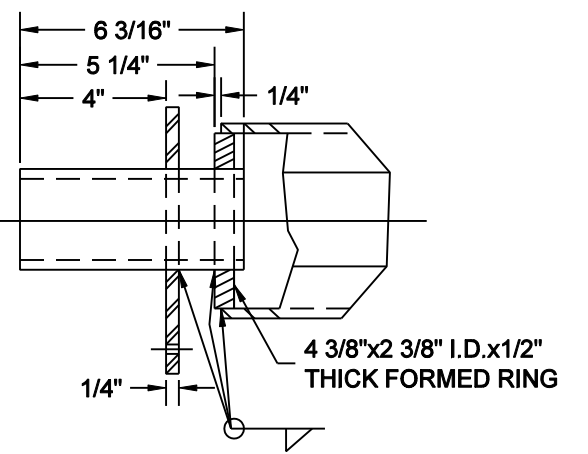
VIEW B-B  
(MAST ARM & SIGN ARM)



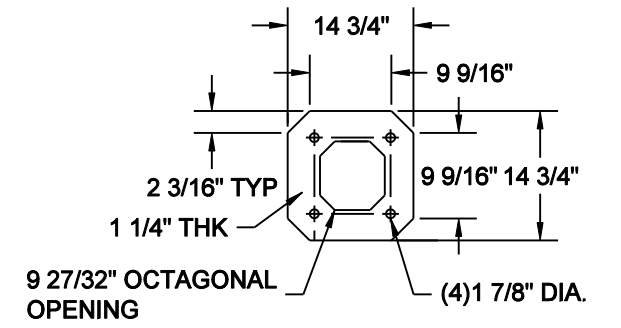
SECTION C-C



DETAIL D



VIEW F-F



VIEW G-G

NO SCALE

	<b>MINNEAPOLIS</b> DEPARTMENT OF PUBLIC WORKS		POLE - SIGNAL	STANDARD PLATE NO. TRAF-1224
	DRAWN: LPK	DATE: 1/1/11	MASTARM 10'-26' TYPE "A"	
	APPROVED: DRP	DATE: 1/1/11	REFERENCE PLATES: TRAF-1072, TRAF1165	