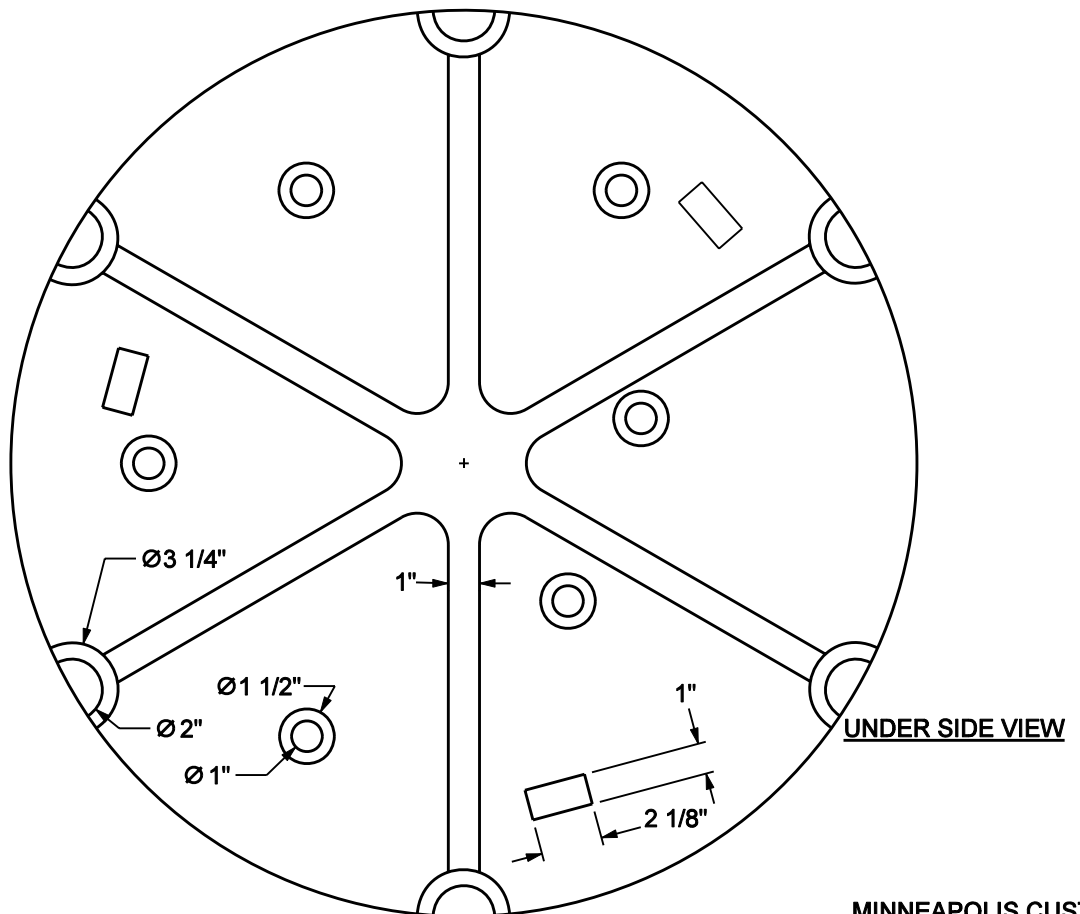
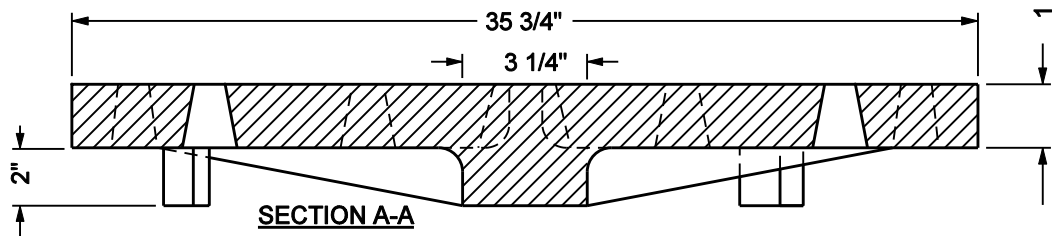


PLAN VIEW



NOTES:  
 MATERIALS: GRAY IRON  
 ASTM A-48 HEAVY DUTY

MINNEAPOLIS CUSTOM  
 MNDOT SPEC. REF. 2506  
 NOT TO SCALE

	<b>MINNEAPOLIS</b> DEPARTMENT OF PUBLIC WORKS		36" MANHOLE COVER	STANDARD PLATE NO. SEWR-2013
	DRAWN: DCD	DATE: 3/03		
	APPROVED: HRS	DATE: 12/06		