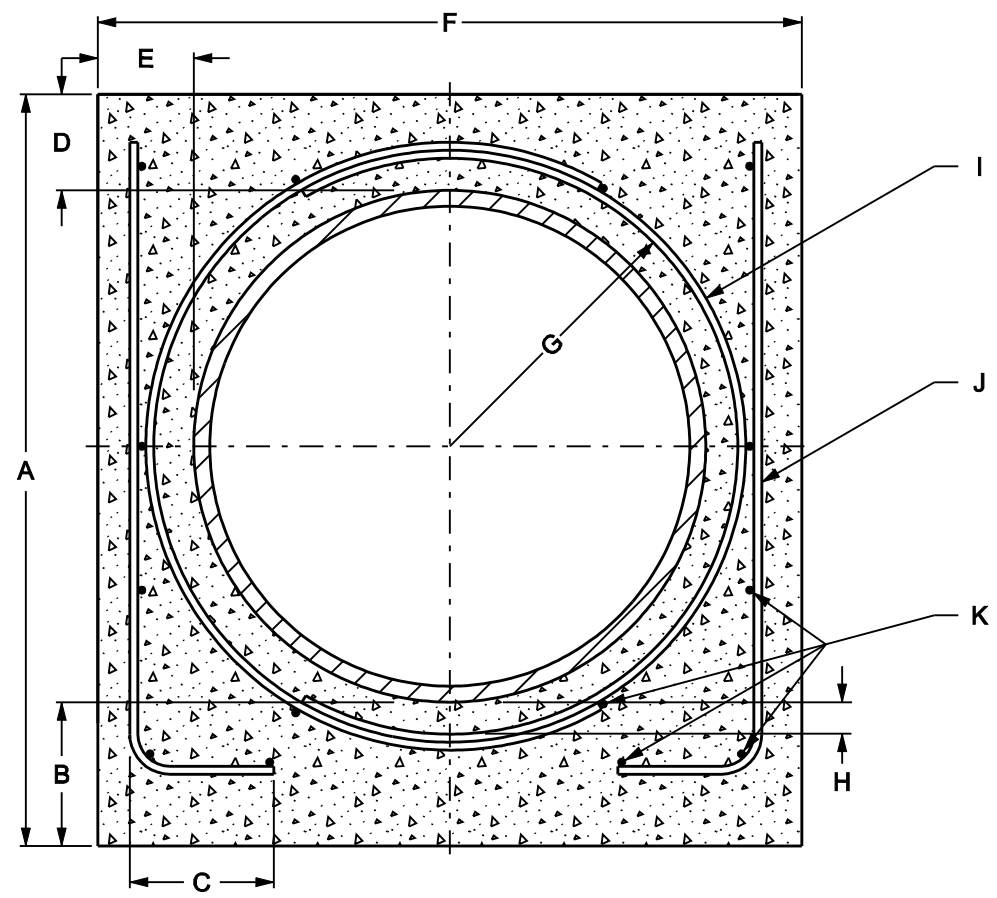


LONGITUDINAL SECTION



TRANSVERSE SECTION

PIPE SIZE (IN.)	A MIN. (IN.)	B MIN. (IN.)	C (IN.)	D (IN.)	E (IN.)	F MIN. (IN.)	G (IN.)	H (IN.)	I (BEND TO RADIUS G)	J	K MIN.	CU. YDS. CONC. PER FT.	LBS. STEEL PER FT.
16	35	9	9	6	6	32	11	2	#4 BARS, 6" O.C., 48" LONG	#4 BAR, 6" O.C., 36" LONG	14 - #4 BARS, 12" OVERLAP MIN.	.24	29
18	35	9	9	6	6	32	12	2	2 - #4 BARS, 6" O.C., 50" LONG	2 - #4 BARS, 6" O.C., 38" LONG	14 - #4 BARS, 12" OVERLAP MIN.	.24	30.5
20	37	9	9	6	6	34	13	2	2 - #4 BARS, 6" O.C., 53" LONG	2 - #4 BARS, 6" O.C., 40" LONG	14 - #4 BARS, 12" OVERLAP MIN.	.25	32
24	41	9	9	6	6	38	15	2	2 - #4 BARS, 6" O.C., 59" LONG	2 - #4 BARS, 6" O.C., 44" LONG	14 - #4 BARS, 12" OVERLAP MIN.	.29	36
30	47	9	9	6	6	44	18	2	2 - #4 BARS, 6" O.C., 69" LONG	2 - #4 BARS, 6" O.C., 50" LONG	14 - #4 BARS, 12" OVERLAP MIN.	.37	39



DRW: JAS
DATE: 2/22/16
APP: CMD
DATE: 2/22/16

REINFORCED CONCRETE ENCASEMENT FOR 16", 18", 20" AND 30" WATERMAINS

STANDARD PLATE NO. WATR-4001

NOT TO SCALE