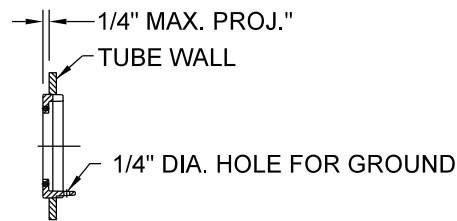
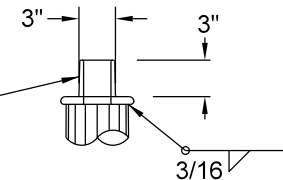


OUTLET FRAME DETAIL



SECTION C-C

3" O.D. 2 1/4" MIN. I.D. (CAST ALUMINUM TENON A356-T6)



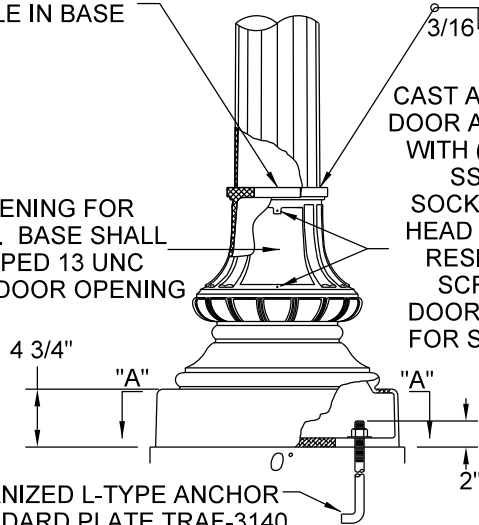
TENON DETAIL

RECESSED OUTLET BOX WITH WEATHER PROOF BLANK COVER (NO RECEPTACLE) MPLS. STD. PLATE TRAF-3360 (BLANK COVER PLATE SHALL BE PREINSTALLED PRIOR TO SHIPPING TO CITY)

5" DIA WIRING HOLE IN BASE

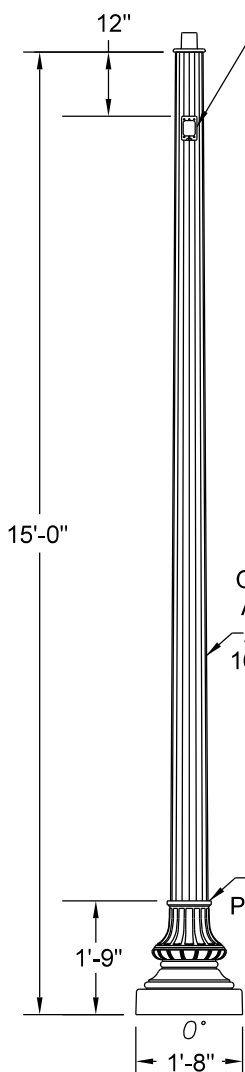
CAST ALUMINUM DOOR ATTACHED WITH (2) 1/4-20 SS HEX SOCKET FLAT HEAD TAMPER RESISTANT SCREWS. DOOR C/SUNK FOR SCREWS.

4 1/2" x 8 1/2" x 6" HIGH DOOR OPENING FOR ANCHORAGE AND WIRING ACCESS. BASE SHALL INCLUDE 1/2" BUILD UP WITH TAPPED 13 UNC BRASS GROUND SCREW OPPOSITE DOOR OPENING



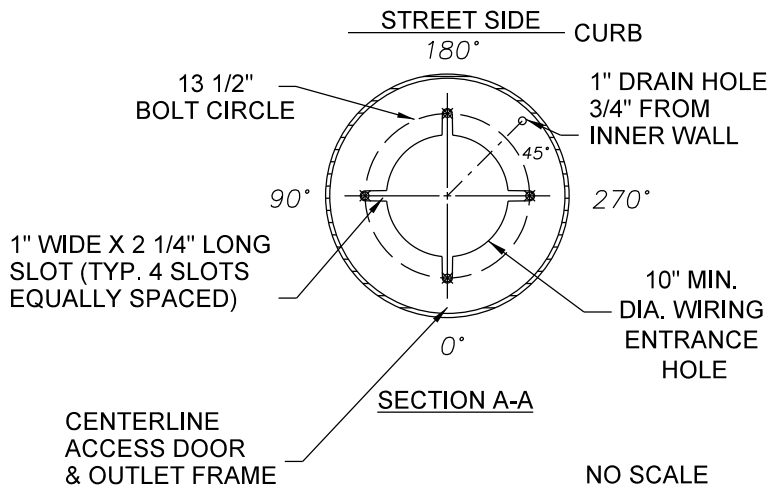
ANCHORAGE DETAIL

5/8" DIA. 18" HOT DIPPED GALVANIZED L-TYPE ANCHOR BOLTS (4 PER POLE) MPLS STANDARD PLATE TRAF-3140



ONE PIECE TAPERED CAST ALUMINUM POLE (6063-T6) AND BASE (A356-T6) WITH 16 EQUALLY SPACED DORIC FLUTES 0.188" WALL (.14"/FT TAPER) 188F - 7.0" x 5.14" x 13'-3"

CAST ALUM PEDESTAL BASE



SECTION A-A

NO SCALE

NOTES:

1. FOR FOUNDATION SEE MPLS STANDARD PLATE TRAF-3060
2. MATERIAL- CAST ALUMINUM SEE SPECIAL PROVISIONS
3. POLE & BASE FINISH SEE SPECIAL PROVISIONS



MINNEAPOLIS
DEPARTMENT OF PUBLIC WORKS

DRAWN: CLK

DATE: 11/15/13

APPROVED: DRP

DATE: 11/15/13

STANDARD - ST. LIGHT

M-15' ALUMINUM ANODIZED W/RECEPTACLE

REFERENCE PLATES: TRAF-3060, TRAF-3140, TRAF-3360

STANDARD PLATE NO. TRAF-3279-R1